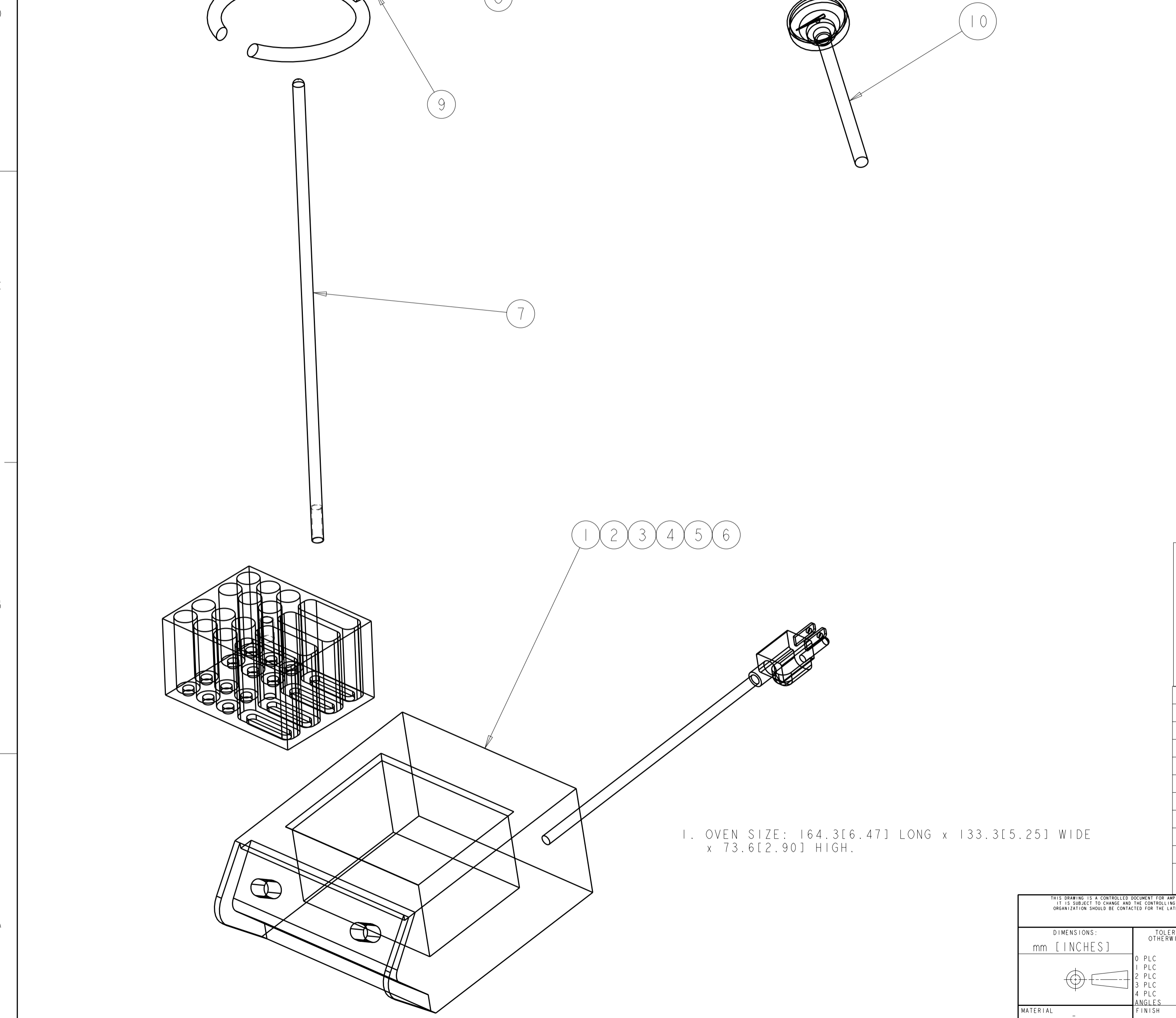
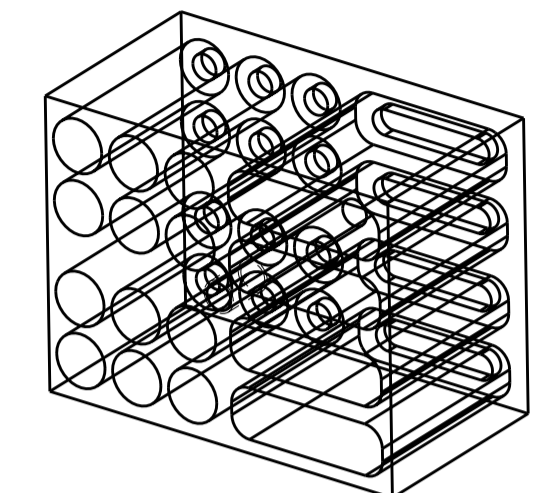


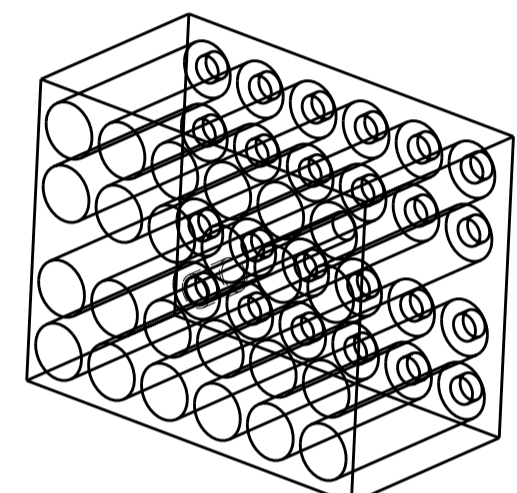
| LOC | DIST | REVISIONS |     |                          |           |     |      |
|-----|------|-----------|-----|--------------------------|-----------|-----|------|
| CE  | 00   | F         | LTR | DESCRIPTION              | DATE      | DWN | APVD |
|     |      | J         |     | REVISE PER ECR-06-015377 | 13JUL2006 | BB  | DK   |



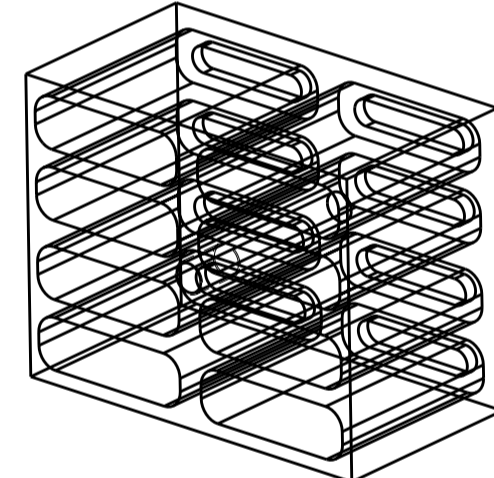
1. OVEN SIZE: 164.3[6.47] LONG x 133.3[5.25] WIDE x 73.6[2.90] HIGH.



UNIVERSAL HEAT CURE BLOCK INCLUDED WITH 502134-1 & -2



SMA, ST, FC HEAT CURE BLOCK INCLUDED WITH 502134-3 & -4



FSD HEAT CURE BLOCK INCLUDED WITH 502134-5 & -6

OBSOLETE

|  | 1  | 2  | 3  | 4  | 5  | 6  | DESCRIPTION                    | ITEM NO. |
|--|----|----|----|----|----|----|--------------------------------|----------|
|  |    |    |    |    |    |    | THERMOMETER                    | 10       |
|  |    |    |    |    |    |    | CABLE SUPPORT BRACKET          | 9        |
|  |    |    |    |    |    |    | #10-24 UNC x .50 THUMB SCREW   | 8        |
|  |    |    |    |    |    |    | CABLE SUPPORT ROD              | 7        |
|  |    | -  | -  | -  | -  | -  | 240V OVEN WITH FSD BLOCK       | 6        |
|  | -  |    | -  | -  | -  | -  | 120V OVEN WITH FSD BLOCK       | 5        |
|  | -  | -  |    | -  | -  | -  | 240V OVEN WITH SMA,ST,FC BLOCK | 4        |
|  | -  | -  | -  |    | -  | -  | 120V OVEN WITH SMA,ST,FC BLOCK | 3        |
|  | -  | -  | -  | -  |    | -  | 240V OVEN WITH UNIVERSAL BLOCK | 2        |
|  | -  | -  | -  | -  | -  |    | 120V OVEN WITH UNIVERSAL BLOCK | 1        |
|  | -6 | -5 | -4 | -3 | -2 | -1 | DESCRIPTION                    | ITEM NO. |

|                                                                                                                                                                                              |                                                                                                                               |                                                                                 |                                                                                                                      |
|----------------------------------------------------------------------------------------------------------------------------------------------------------------------------------------------|-------------------------------------------------------------------------------------------------------------------------------|---------------------------------------------------------------------------------|----------------------------------------------------------------------------------------------------------------------|
| <small>THIS DRAWING IS A CONTROLLED DOCUMENT FOR AMP INCORPORATED. IT IS SUBJECT TO CHANGE AND THE CONTROLLING ENGINEERING ORGANIZATION SHOULD BE CONTACTED FOR THE LATEST REVISION.</small> |                                                                                                                               | DWN B. BRIGGS 13JUL2006<br>CHK D. KIRSCH 13JUL2006<br>APVD S. BUCHTER 13JUL2006 | <b>AMP</b> Tyco Electronics<br>Harrisburg, PA 17105-3608                                                             |
| DIMENSIONS:<br>mm [INCHES]                                                                                                                                                                   | TOLERANCES UNLESS OTHERWISE SPECIFIED:<br>0 PLC ±<br>1 PLC ±3.0(.12)<br>2 PLC ±<br>3 PLC ±<br>4 PLC ±<br>ANGLES ±<br>FINISH - | PRODUCT SPEC -<br>APPLICATION SPEC -<br>WEIGHT -                                | NAME HEAT CURE OVEN ASSEMBLY, OPTIMATE<br>SIZE A2 CAGE CODE 00779 DRAWING NO. 502134<br>SCALE NTS SHEET 1 OF 1 REV J |
| CUSTOMER DRAWING                                                                                                                                                                             |                                                                                                                               |                                                                                 |                                                                                                                      |